



OWNERS MANUAL



BEDIENUNGSANLEITUNG



LIETOŠANAS PAMĀCĪVA

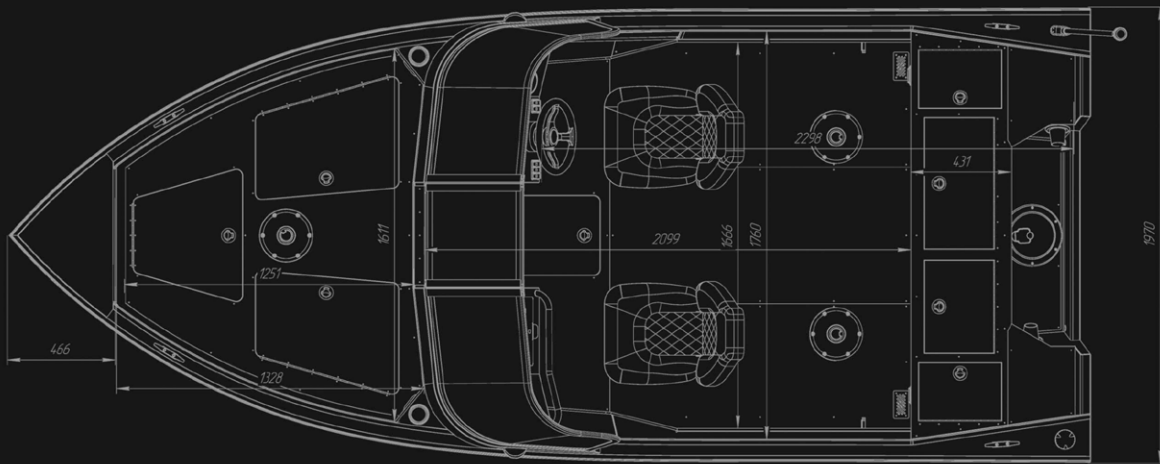
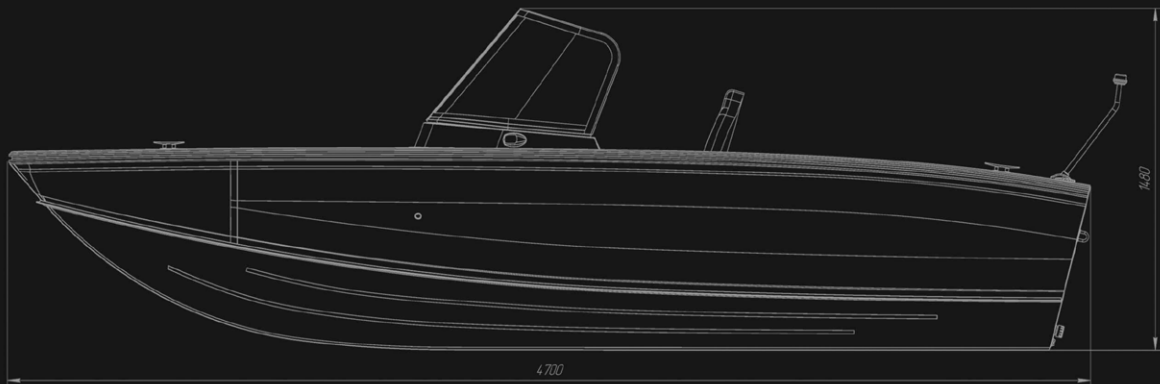


РУКОВОДСТВО ПО ЭКСПЛУАТАЦИИ



VIZION 470S ALUMINUM MOTORBOAT

vizboat.com



VIZION 470S
MOTORBOAT

OWNERS MANUAL

CONTENT

1. General guidelines.....	4
2. Technical data.....	4
3. Delivery set.....	5
4. Hull structures.....	5
4.1. Basic parameters of hull.....	6
5. Steering and power supply system.....	6
6. Electrical equipment.....	7
7. Engine installation instructions.....	9
8. Safety requirements.....	9
9. Transportation and storing.....	11
10. Environmental protection.....	11
11. Technical maintenance.....	11
12. Disposal.....	11
13. Manufacturer's guarantee.....	12

1. GENERAL GUIDELINES

Motorboat VIZION 470s (hereinafter – boat) is intended for operation in freshwater and seawater in temperate and cold climates at water temperature from +5 to +30 degrees Celsius, coastal waters, bays, lakes and large rivers where the wind force does not exceed 6 ($\leq 10,8$ m/s), and wave height does not reach 2 meters.

The boat is intended for tourism journeys, recreation on water, fishing, hunting, transportation of household and domestic cargos. Representatives of various inspectorates can use the boat for patrolling, economic purposes, transporting people and as work trip boats.

Boat construction is provided for installation of an outboard engine (hereinafter in the text – OE).

2. TECHNICAL DATA

Total length, mm	4700
Total width, mm	1950
Side height in the middle, mm	850
Transom height, mm	510
Category	C
Hull material	5083 H111
Deadrise angle at transom	14°
Maximum carrying capacity (mass of passengers and baggage), kg	450
Passenger capacity, persons	4
OE power rating, hp	70
Maximum weight of an engine, kg	188.5
Hull mass with equipment (without OE), kg	470

3. DELIVERY SET

Boat delivery set includes:

- boat (without outboard engine);
- owners manual.



4. HULL STRUCTURES

The hull has a distinctly pointed bottom of the bow along with the longitudinal redans and splash guards ensuring high dynamic performance indicators.

The hull of the boat is made of aluminium-magnesium alloy 5083 H111 (or its analogue).

The hull structures in general are connected by electric arc welding in an inert gas atmosphere.

The hull structures guarantee durability and safety of the boat, which is reinforced by longitudinal and transversal stringers for reinforcement built into the bottom and sides of the boat.

The free space under the deck is filled with polyurethane foam, which ensures excellent buoyancy and boat safety in emergency conditions in accordance with the EU ISO 12217-3: 2017 standard.

The boat is equipped with navigation lights, water pumping system (electric pump 33 l/min.), mooring cleats, electrical distribution panel with fuses and battery disconnect switch.

OE shall be installed on a rigid transom reinforced with high-strength waterproof plywood.

The hull of the boat can be divided into three parts: bow deck, cockpit and stern deck.

The model VIZION 470s is equipped with driver and passenger consoles with a flap door installed between them. There are an aerator, compartment for spinning rods and battery, storage lockers on the bow deck. In the front of a cockpit, under the consoles, there are pull-out drawers, side niches for various little things, a built-in compartment in the floor for additional batteries. There are an aerator, technological compartment and several storage lockers on the stern deck. The compartment lids are made of 12 mm water-resistant laminated plywood with a non-slip surface.

4.1. BASIC PARAMETERS OF HULL

- sheets of hull bottom, transom: 3 mm
- side sheets: 2 mm
- longitudinal and transversal stringers: 2-3 mm
- longitudinal redans: L-shaped profile 50x30x3
- longitudinal stringers: U-shaped channel 30x50x30x3

Between the transom and the rear bulkhead there is a self-draining compartment with a built-in gasket aimed at inserting a steering cable and fuel pipe for an OE. Steering cable is not included in the delivery set.

At the bottom of the transom there is a built-in water drain hole with a caprolon plug. It is designed for draining the remnants of water after a boat is pulled ashore.

5. STEERING AND POWER SUPPLY SYSTEM

The boat is designed for installation of OE, the power of which must not exceed 70 hp (OE is not included in the delivery set). The OE remote control system is mounted on the starboard side before the console. The boat is steered by means of a remote control steering system, which includes:

- Mechanical steering gearbox;
- steering cable;
- steering wheel.

In the central part of the boat there is a stationary fuel tank with a capacity of 60 l. Its filler neck is located at the stern of the boat.

ATTENTION!

If fuel is spilled and gets under the floor in filling process or due to careless handling, rinse it immediately with water and pump it out using the on-board pump. Open the hatch in the recess and ventilate the boat. The guarantee does not apply to the pump shell damaged by prolonged exposure to fuel.

Considering the high flammability of fuel and its vapours, comply with the fire safety regulations when filling a fuel tank.

6. ELECTRICAL EQUIPMENT

Engine starting, lighting, emergency lighting and electrical equipment are powered by a 12V battery (not included in the delivery set).

Electrical equipment includes:

- switches;
- sockets for connecting external electrical devices, voltage 12V;
- electric bilge pump;
- electric pump for aerator;
- navigation lights;
- parking light;
- fuel level sensor and indicator;
- battery disconnect switch.

Each power supply system included in the boat's standard equipment is protected by a 10A fuse. The fuse box is located under the driver's console.

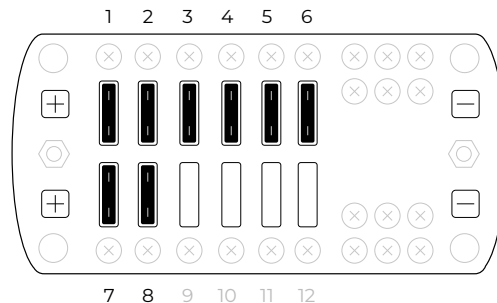
! *The supply voltage plus is always connected to the battery disconnect switch and through it – to power the electrical equipment and OE.*

The supply voltage minus is connected to a terminal isolated from the hull of a boat and further to the electrical equipment and OE.

! ATTENTION!

When installing additional electrical equipment and electronics (batteries, chargers, echo sounders, electric motors, etc.) on the boat, you should contact qualified specialists. It is necessary to completely exclude the possibility of electrical voltage on the hull of the boat. Incorrect connection can lead to electrical corrosion of the housing and damage to the paintwork. Such damage is not covered by the warranty and the manufacturer is not responsible for it.

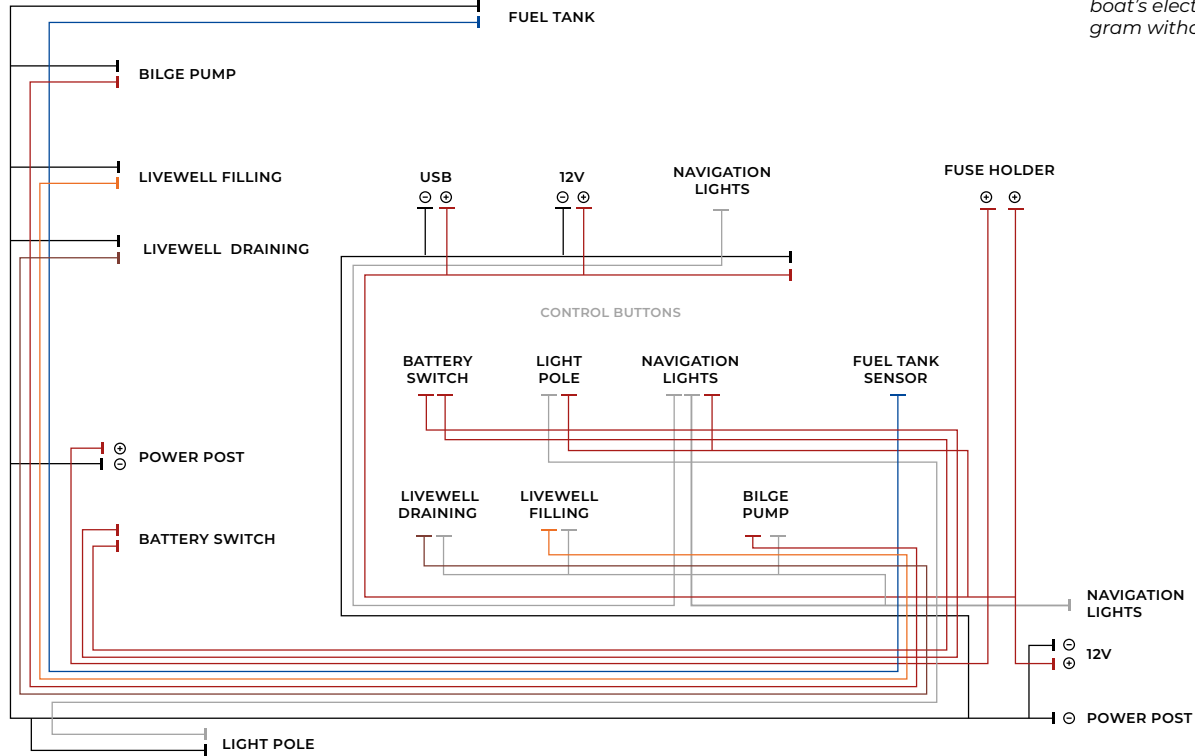
The Fuse diagram



- | | |
|----------------------------|---|
| 1. Livewell, 10A | 5. Parking light and deck lighting, 10A |
| 2. Livewell 2 contour, 10A | 6. Spotlights, 10A |
| 3. Bilge pump, 10A | 7. Right Socket 12V, 10A |
| 4. Running lights, 10A | 8. Left Socket 12V and USB, 10A |

The wiring diagram of the electrical equipment

! The manufacturer is entitled to make changes in the boat's electrical circuit diagram without prior notice.



7. ENGINE INSTALLATION INSTRUCTIONS

To ensure proper operation of OE, we recommend that an engine and related equipment is installed by a qualified technician. Improper installation of OE can result in engine malfunction, reduced boat control efficiency, loss of control, and a risk of fire.

If you install OE yourself, follow the instructions of Outboard Engine Installation Instructions supplied with it.

8. SAFETY REQUIREMENTS

The boat structure complies with the safety requirements stipulated in the Directive 2013/53/EU and ensures safe operation if the following conditions are met:

- the power of an outboard engine must not exceed 70 hp;
- operation of a boat is not allowed if wave height in a water body exceeds 2 m;
- operation of a boat is not allowed if the specified passenger capacity is exceeded (4 people);
- do not exceed the specified maximum load-bearing capacity, taking into account the mass of passengers and luggage (not more than 450 kg);
- when filling the outboard engine or fuel tank with fuel and oil, comply with fire safety and environmental safety regulations;
- do not walk on the boat or get up from seats while driving;
- operation of the boat is not allowed without individual life-saving appliances, quantity of which matches the number of people in the boat;
- it is strictly forbidden to be on the bow deck while driving (faster than 5 km/h);
- it is strictly forbidden to entrust operation of a motorboat to persons who have no driving license, as well as to persons under the influence of alcohol;
- approaching other waterborne crafts and swimmers speed must be reduced.



WARNING!

Do not try to manoeuvre at high speeds until you have learned the full potential of the motorboat.

Control steering at all times and never release the steering wheel. Always warn the people in the boat before making any manoeuvres at speed. In normal weather conditions, you can make a slight S-turn not slowing down. More complex manoeuvres are carried out adjusting engine power. Reduce power, keep gliding, make a turn. Increase power and complete the turn to reach the previous speed.

8. SAFETY REQUIREMENTS

To ensure safe navigation, the boat owner definitely has to complete the boat with:

- life jackets (according to the number of people in the boat).

For additional safety during navigation, it is required to complete a boat with:

- waterproof means of communication (radio equipment) that will transmit and receive information on safety in the seas, including weather forecasts;
- magnetic compass;
- 2 lifebuoys with search lights as well as floating anchors and at least 20 m long ratline;
- 3 red parachute flares;
- 4 white flares;
- 4 red flares;
- thermal protection means (matching the quantity of people in the boat).

Before you go on a voyage, make sure that:

- the motorboat, engine, batteries are in good condition;
- navigation lights and bilge pump function normally;
- there is enough fuel in the fuel tank;
- life jackets and other life-saving appliances are in the boat;
- boat hull drain plugs and waterproof compartment lids are safely closed;
- the anchor, belongings, equipment and mooring ropes are well fastened;

WARNING!

Before you go on a voyage, make sure that all people on board are familiar with the rules of conduct on small boats, as well as that they are wearing life jackets and have comfortably taken the boat seats. Definitely check whether the rescue and fire safety equipment is in the boat.

It is forbidden to operate a motorboat with the following damage:

- holes or wormholes in the hull and cladding (regardless of their location);
- it is impossible to turn a steering wheel at a sufficient angle (35 degrees towards each side);
- rudder plate or steering components are damaged;
- there is a fuel leak from tanks or fuel supply hoses;
- there is observed vibration of engine or outboard engine, which exceeds the values specified in the operating documentation;
- remote control system of an engine is damaged.

9. TRANSPORTATION AND STORING

You can transport boats using any mode of transport complying with the regulations on carriage of goods by specific vehicle.

In all cases, secure a boat to a vehicle to avoid damage.

! ATTENTION!

It is forbidden to use trailers that are not intended for transportation of boats. Damage to the hull bottom caused due to such transportation is not covered by the boat guarantee.

It is not allowed to store a boat on the water near high-voltage lines, near metal berths and structures, as well as near boats with a metal hull. It should be completely excluded from storing the boat on the water if there are berths or boats with faulty electrical equipment nearby. To protect the boat hull from galvanic corrosion, the user must use anodes. The manufacturer is not responsible for damage to the boat hull and paintwork caused by corrosion. The occurrence of any type of corrosion is not covered by the warranty.

During operation, you must carefully follow the condition of the boat hull and equipment to prevent damage in a timely manner. After a voyage, clean the boat from dirt and, if necessary, rinse with water, then drain water from the hull. Before long-term storage, pull the boat out of water, detect faults and repair them if any. It is recommended to store a boat with its keel downwards in a closed room or under a shed that protects from precipitation. Storage in an open environment is acceptable if the boat is completely covered by a protective cover.

When leaving a boat in a parking lot, disconnect the power supply of the boat's electrical system using a battery disconnect switch.

When parking (storage), all electrical equipment of the boat must be de-energized using the main switch. To prevent electrical leakage, short circuit and fire, do not leave the boat unattended with the electrical equipment turned on. When storing the boat on the shore, lift it off the ground by placing keel blocks under it.

10. ENVIRONMENTAL PROTECTION

During operation, all oil product residues, dirty water, waste (including food leftovers) and substances polluting the environment must be retained in the boat.

In order to prevent contamination of water bodies with oil products, during the operation of engine it is required:

to check the condition of the fuel system connections periodically and repair damage immediately if there is a fuel leak detected. If it is impossible to repair the damage to the fuel system while the engine is operating, stop the engine, find out cause of the damage and take action to prevent fuel from getting into the water body.

11. TECHNICAL MAINTENANCE

After each use, visually inspect the boat for any potential damage, inspect all fuel and electrical system units, make repairs and prevent any damages if necessary. All repair, diagnostic and maintenance work must be carried out in a certified service by qualified specialists.

12. DISPOSAL

A boat which is not suitable for further operation must be disposed of. The owner of the boat is responsible for its disposal. Disposal of the boat must be carried out in specially equipped places intended for it. In both regular and emergency conditions, ensure safety and health of people when disposing of boat.

13. MANUFACTURER'S GUARANTEE

The boat warranty period is listed on the last page of this owner's manual. During the guaranty period, the manufacturer shall repair the boat free of charge or replace the boat if it has a marking plate, as well as if the boat's owners manual is presented and all operating, transport and storage regulations are observed.

WARNING!

The manufacturer shall not compensate and be liable for defects caused as a result of user's or trader's fault, negligent transportation, improper storage and operation, mechanical damage to the boat, and non-compliance with the requirements of this owners manual.

The windshield is made of polycarbonate (acrylic); the peculiarity of this material is that any kind of contact with chemical solvents (acetone, gasoline, thinners, and other aggressive chemicals) is unacceptable. The guaranty does not apply if the product is damaged as a result of such contact. Also, contact of other interior and boat construction elements made of plastic or composite materials with solvents is not allowed.

The manufacturer shall not be liable for any consequences, including damage caused to third parties, resulting from non-compliance with the boat operation, transport or storage conditions when the boat is used for purposes other than the intended and any changes to the boat structures or equipment without agreement with the manufacturer.

Any changes to the boat structures or equipment, as well as elimination of any damage or malfunctions that occurred, must be agreed with the manufacturer in writing. Failing to do so the consumer will lose the right to guarantee service.

ACCEPTING THE READY PRODUCT

Before each motorboat is handed over to a buyer, there is an acceptance control checking: appearance, quality of outer surfaces, quality of welding seams, as well as assembly.

IN CASE YOU NEED GUARANTY REPAIR, OUR ADDRESS IS:

5A Stradnieku skersiola,
Rezekne, LV-4604, Latvia
T: +371 294-197-09 | vizboat.com



By that we, "FISHBOAT RSEZ" LLC, 5A Stradnieku skersiola, Rezekne, LV-4604, Latvia confirm that CE Certification was performed in accordance with Directive 2013/53/EU.

VIZION 470S
MOTORBOOT

BEDIENUNGSANLEITUNG

INHALT

1. Allgemeine Hinweise	14
2. Technische Daten	14
3. Lieferset	15
4. Rumpfkonstruktion	15
4.1. Basisparameter des Rumpfs	16
5. Steuerungs- und Stromversorgungssystem	16
6. Elektrische Ausstattung	17
7. Anleitung zur Installation des Motors	19
8. Sicherheitsanforderungen	19
9. Transport und Lagerung	21
10. Umweltschutz	21
11. Wartung	21
12. Entsorgung	21
13. Herstellergarantie	22

1. ALLGEMEINE HINWEISE

Das Motorboot VIZION 470s (nachfolgend das Boot genannt) ist für den Betrieb in Süß- und Meerwasser in gemäßigten und kalten Klimazonen vorgesehen, wo die Lufttemperatur, in Küstengewässern, Buchten, Seen und großen Flüssen bei Wassertemperatur von +5 bis +30 Grad Celsius und die Windstärke 6 BFT ($\leq 10,8$ m/s), die Wellenhöhe aber 2 Meter nicht überschreitet.

Dieses Boot ist für Ausflüge, Erholung auf dem Wasser, Angeln, Jagd, Beförderung von Haushaltsfrachten ausgelegt. Das Boot kann von Vertretern unterschiedlicher Aufsichtsbehörden gebraucht werden, um Patrouillen auf dem Wasser durchzuführen, als Personentransport und als Arbeitskutter sowie zu wirtschaftlichen Zwecken eingesetzt werden.

Die Konstruktion des Bootes ist zum Einbau eines Außenbordmotors (nachfolgend AM genannt) vorgesehen.

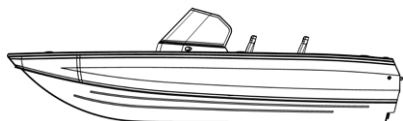
2. TECHNISCHE DATEN

Länge, mm	4700
Breite, mm	1950
Seitenhöhe in der Mitte, mm	850
Heckspiegelhöhe, mm	510
Kategorie	C
Rumpfmateriale	5083 H111
Heckwinkel	14°
maximales Traggewicht Gewicht von Passagieren und Gepäck), kg	450
maximale Anzahl an Personen	4
maximal zulässige Motorleistung, PS	70
maximal zulässiges Motorgewicht, kg	188.5
Rumpfgewicht samt Ausrüstung (ohne AM), kg	470

3. LIEFERSET

Das Lieferset des Boots besteht aus:

- einem Boot (ohne AM);
- einer Bedienungsanleitung.



4. RUMPFKONSTRUKTION

Der Rumpf des Boots hat am Bug deutlich scharfe Umriss, die in Verbindung mit den Längsprofilen und Fender gegen Wellenbildung und Spritzen hohe dynamische Eigenschaften gewährleisten können.

Der Rumpf des Bootes ist aus einer Legierung 5083 H111 von Aluminium und Magnesium (ggf. ihrer Nachbildung) hergestellt.

Als Vorgehensweise zur Verbindung von Rumpfstrukturen dient vorwiegend das Lichtbogenschweißen in einer Atmosphäre aus Zwischengas.

Die Festigkeit und Sicherheit des Boots wird durch seine Rumpfkonstruktion gewährleistet, die anhand von eingebauten Längs- und Querverstärkungsrippen am Boden-, Deck- und im Seitenbereich verstärkt ist.

Der Freiraum unter dem Deck ist mit Polyurethanschaum gefüllt, der im Fall der Notsituation einen hervorragenden Auftrieb, eine Unsinkbarkeit und Bootssicherheit gemäß Standard EU ISO 12217-3: 2017 gewährleistet.

Das Boot ist mit Navigationslichtern, einem Wasserpumpensystem (Elektropumpe 33l/min), den Festmacherklemmen, einem Sicherungskasten und einem Trennschalter ausgestattet.

AM wird auf einer festen Wasserrutsche installiert, die durch eine hochfeste wasserdichte Sperrholzplatte verstärkt ist.

Der Rumpf des Bootes lässt sich in drei Teile unterteilen: das Bug, das Cockpit und das Achtercockpit.

Der VIZION 470s ist mit einer Fahrer- und einer Beifahrerkonsole ausgestattet, mit einer Flügeltür dazwischen. Das Cockpit ist mit einem Belüftungsfach, einem Fach für Spinnruten und Akku, Fächern für Gegenstände ausgestattet. Auf dem Achtercockpit unter Konsolen befinden sich Schubladen, seitlich – Nischen für kleine Sachen, im Boden ist eingebautes Fach für zusätzliche Batterien. Am Heck sind Belüftungsfach, Technikfach und ein paar Fächer für die Sachen eingebaut. Die Schrank- und Fachdeckel bestehen aus 12 mm wasserdichtem filmbeschichtetem Sperrholz mit rutschfester Oberfläche.

4.1. BASISPARAMETER DES RUMPFES

- Bodenbeschichtung, Heck: 3 mm
- Seitenbeschichtung: 2 mm
- Längs- und Querverstärkungsrippen: 2-3 mm
- Längsfender: L-Profil 50x30x3
- Längsverstärkungsrippen: U-Profilträger 30x50x30x3

Hinter dem Energieversorgungsschott befindet sich selbstentleeren- des Wasserrückgangsfach, in dem das Lenkkabel und ein Kraftstoffschlauch zum Anschluss an die AM durch die Öldichtungen herausgeführt sind. Das Steuerkabel ist nicht im Lieferumfang enthalten.

Am unteren Teil des Hecks ist Wasserablaufloch mit einem Stopfen aus Kaprolon eingebaut. Es dient zum Ablassen der Wasserreste, nachdem das Boot an Land gezogen ist.

5. STEUERUNGS- UND STROMVERSORGUNGSYSTEM

Das Boot ist für den Einbau von AM bis zur Leistung von 70 PS nicht ausgelegt (AM ist nicht im Lieferumfang enthalten). Die Montage der AM-Fernbedienung ist an der rechten Bordseite vor der Konsole auszuführen. Das Boot wird mithilfe eines Fernlenkgeräts gesteuert, das folgende Teile beinhaltet:

- Mechanisches Lenkgetriebe;
- Lenkungskabel;
- Lenkrad.

Im mittleren Teil des Bootes ist ein stationärer Kraftstofftank mit dem Volumen von 60 Litern eingebaut. Sein Einfüllstutzen befindet sich hinten am Heck des Bootes.



ACHTUNG!

Sollte während des Auftankens oder nach einem unachtsamen Umgang mit Kraftstoffbehältern unter den Boden oder in die Kisten geraten, waschen Sie es sofort mit Wasser und lassen Sie das Wasser umgehend mit einer vorhandenen Pumpe absaugen. Öffnen Sie die Rezessionslücke und entlüften Sie das Boot. Die Garantie gilt nicht, wenn das Pumpengehäuse aufgrund längerer Einwirkung von Kraftstoff geschmolzen ist.

Mit Rücksicht auf die hohe Entflammbarkeit von Kraftstoff und dessen Dämpfen sind beim Betanken die Brandschutzvorschriften zu beachten.

6. ELEKTRISCHE AUSSTATTUNG

Anlassen des Motors, Beleuchtung, Notbeleuchtung, Stromversorgung der elektrischen Verbraucher erfolgt aus einem Akku mit einer Spannung von 12V (nicht im Lieferumfang enthalten).

Elektrische Ausstattung hat:

- Schalter;
- Steckdosen für elektrische Außenanlagen, Spannung 12V;
- elektrische Pumpe;
- elektrische Pumpe für einen belüftungsartigen Fischbehälter;
- Navigationslicht;
- Standlicht;
- Kraftstoffstandsensord und Kraftstoffanzeige (optional);
- Massenschalter.

Die Stromversorgung der Standardausrüstung des Bootes wird durch eine Schutzverriegelung 10A gesichert, die sich unter der Steuerkonsole befinden.

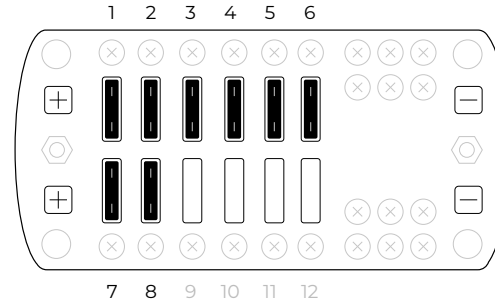
! Die Spannung der Stromversorgung „+“ ist immer an den Massenschalter angeschlossen – zur Versorgung von elektrischen Anlagen und AM.

Die Spannung der Stromversorgung „-“ ist immer vom Rumpf aus zum isolierten Pol – Zapfen angeschlossen und weiter zu elektrischen Anlagen und AM.

! ACHTUNG!

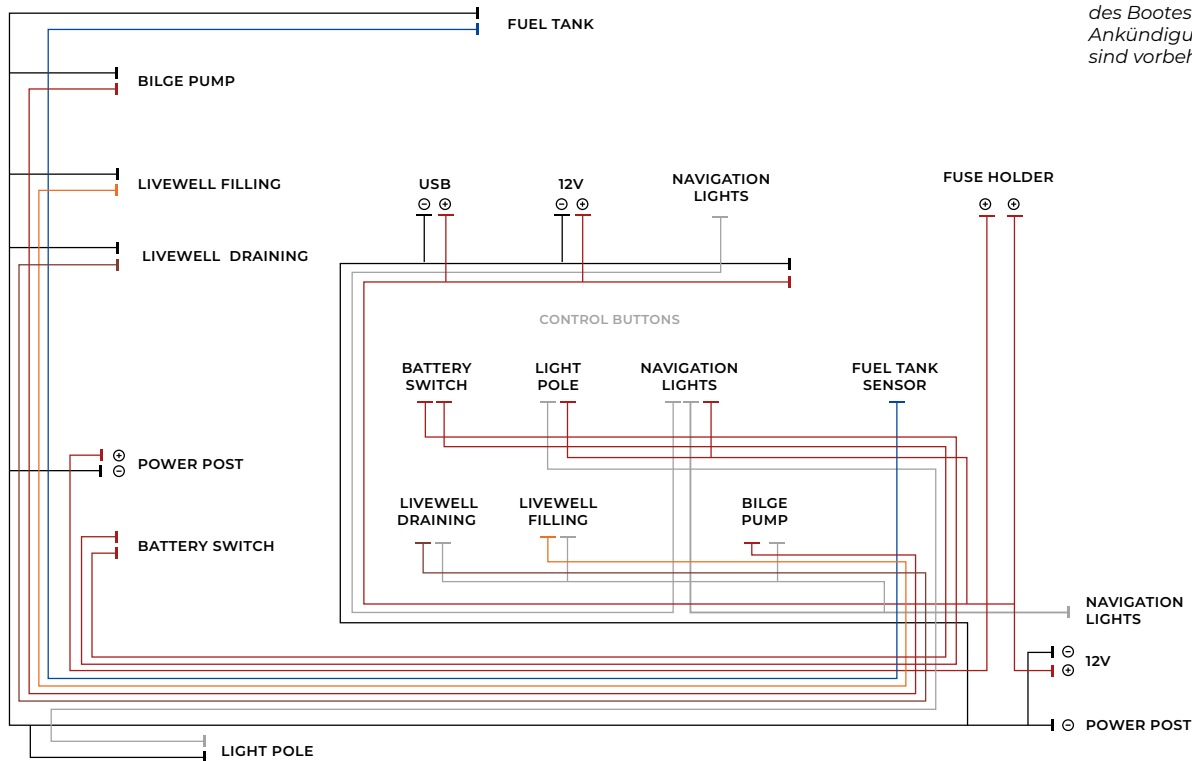
Beim Einbau zusätzlicher elektrischer und elektronischer Geräte in das Boot (Batterien, Ladegeräte, Echolote, Elektromotoren usw.) sollte ein qualifizierter Techniker hinzugezogen werden. Das Eindringen elektrischer Spannungen in den Bootskörper muss zu jeder Zeit verhindert werden. Falsche Anschlüsse können zu elektrischer Korrosion am Rumpf und zu Schäden an der Lackierung führen. Solche Schäden sind nicht von der Garantie abgedeckt und der Hersteller ist nicht dafür verantwortlich.

Sicherungsdiagramm



- | | |
|----------------------------|---|
| 1. Livewell, 10A | 5. Parking light and deck lighting, 10A |
| 2. Livewell 2 contour, 10A | 6. Spotlights, 10A |
| 3. Bilge pump, 10A | 7. Right Socket 12V, 10A |
| 4. Running lights, 10A | 8. Left Socket 12V and USB, 10A |

Der Schaltplan der elektrischen Ausrüstung ist



! Alle Rechte des Herstellers, Änderungen am Schaltplan des Bootes ohne vorherige Ankündigung einzuführen, sind vorbehalten.

7. ANLEITUNG ZUR INSTALLATION DES MOTORS

Es ist empfehlenswert, den Motor und dazugehöriges Zubehör von einer Fachperson installieren zu lassen, um korrekte Aufstellung und normalen Betrieb des AM sicherzustellen. Eine unsachgemäße Installation kann die Effizienz der Bootssteuerung beeinträchtigen sowie Kontrollverlust und Feuer verursachen.

Sollten Sie den AM selbst installieren, folgen Sie bitte den hinzugefügten Anweisungen ("Handbuch zur Installation eines Außenbordmotors").

8. SICHERHEITSANFORDERUNGEN

Die Konstruktion des Boots entspricht den Sicherheitsanforderungen laut Richtlinie 2013/53/EU und garantiert einen sicheren Betrieb, soweit folgende Bedingungen erfüllt sind:

- die Leistung des AM darf nicht die Kennzahl von 70 PS überschreiten;
- der Bootsbetrieb ist in Gewässern bei Wellenhöhen über 2 m strengstens verboten;
- die maximal empfohlene Anzahl von Personen (4 Pers.) darf nicht beim Bootsbetrieb überschritten werden;
- maximales Traggewicht unabhängig von der Anzahl der Personen an Bord und das Gesamtgewicht von Ausrüstung dürfen nie die zugelassene Zuladung überschreiten (max. 450 kg);
- beim Betanken des AM oder Kraftstofftanks mit Kraftstoff oder Öl sind die Vorschriften für Brandschutz und Umweltsicherheit zu beachten;
- die Bewegungen an Bord bzw. das Verlassen der Sitzplätze während der Fahrt sind strengstens verboten;
- der Bootsbetrieb ohne individuelle Rettungs-ausrüstung für jede Person an Bord ist nicht gestattet;
- es ist strengstens verboten, sich während der Fahrt (mehr als 5 km/h) im Bugcockpit zu befinden;

- es ist strengstens untersagt, die Leitung eines Motorboots Personen, die keinen Führerschein besitzen, und Personen, die unter Alkoholeinfluss stehen, anzuvertrauen;
- bei der Annäherung an andere Wasserfahrzeuge und Schwimmer ist die Geschwindigkeit unbedingt herabzusetzen.

WARNUNG!

Trauen Sie sich lieber kein Manövrieren mit hoher Geschwindigkeit, bis Sie Funktionen Ihres Motorboots nicht überprüft haben.

Steuern Sie ständig die Lenkung, lassen Sie das Lenkrad niemals los. Informieren Sie jeweils Personen an Bord, bevor Sie irgendwelche Manöver mit Geschwindigkeit ausführen möchten. Unter normalen Wetterbedingungen können Sie eine einfache S-Kurve machen, ohne Geschwindigkeit zu verringern. Eine anspruchsvollere Zirkulation wird durch Einstellen der Motorleistung erreicht. Reduzieren Sie zuerst die Leistung ohne Gleitverlust zu verursachen, biegen Sie dann ab. Erhöhen Sie die Leistung und beenden Sie danach die Kurve, um aktuelle Geschwindigkeit zu erreichen.

8. SICHERHEITSANFORDERUNGEN

Der Bootsbesitzer ist verpflichtet, sichere Navigation zu gewährleisten und das Boot mit folgender Ausrüstung unbedingt auszustatten:

- Schwimmwesten (gemäß Anzahl der Personen an Bord).

Für Sicherheit beim Segeln im Meer sollte das Boot mit zusätzlicher Ausrüstung ausgestattet sein:

- wasserdichte Kommunikationsgeräte (Radio) zum Senden und Empfangen von Information zur Sicherheit im Seeverkehr, einschließlich Wettervorhersage;
- Magnetkompass;
- 2 Rettungsringe mit Suchscheinwerfern sowie einem schwimmenden Anker und einer Schleppleine von mindestens 20m;
- 3 rote Fallschirmraketen;
- 4 weiße Signalraketen;
- 4 rote Signalraketen;
- Wärmeschutz-ausrüstung (je nach Anzahl der an Bord vorhandenen Personen).

Bevor Sie einen Ausflug machen, vergewissern Sie sich, dass:

- Motorboot, Motor, Batterien in einem guten technischen Zustand sind;
- die Navigationslichter und die Pumpe gut funktionieren;
- im Kraftstofftank genug Kraftstoff ist;
- Schwimmwesten und andere lebensrettende Geräte dabei sind;
- alle Ablassschrauben und Ventile des Rumpfs und der wasserdichten Fächer fest verschlossen sind;
- der Anker, die Sachen und die Festmacherseile an der Seite des Motorbootes angebracht sind.



! WARNUNG!

Vergewissern Sie sich vor dem Ausflug, dass alle Personen an Bord mit den Verhaltensregeln für das Motorboot vertraut sind, sowie mit Schwimmwesten ausgestattet sind und sich bequem in den Bootssitzen befinden. Prüfen Sie die Rettungs- und Brandschutzausrüstung, die müssen unbedingt an Bord sein.

Es ist verboten, das Motorboot mit folgenden Störungen zu betreiben:

- Löcher an Rumpfgehäuse und Beschädigung in der Beschichtung (unabhängig von der Stelle);
- Kein voller Lenkwinkel möglich (35 Grad zu jeder Seite), Störungen beim Drehen des Lenkrads;
- Beschädigte Lenkplatte oder Teile am Lenkgetriebe;
- Austreten des Kraftstoffs aus Tanks und Schläuchen im Versorgungssystem;
- Merkmale der Schwingungen am Motor und Außenbordmotor, die entsprechende Werte, angegeben in der Betriebsdokumentation, überschreiten;
- Schaden an der Motorfernbedienung.

9. TRANSPORT UND LAGERUNG

Das Boot kann mit jedem Transportmittel in Übereinstimmung mit jeweiligen Beförderungsregeln transportiert werden.

In jedem Fall muss das Boot sicher und ordnungsgemäß am Fahrzeug befestigt sein, um seine Sicherheit zu gewährleisten.

! ACHTUNG!

Keine angemessenen Anhänger für den Transport von Booten zu verwenden, wodurch einen Schaden am Unterteil des Bootes verursacht werden kann, da solcher Schaden keiner Garantie des Bootes unterliegt.

Es ist nicht erlaubt, ein Boot auf dem Wasser in der Nähe von Hochspannungsleitungen, in der Nähe von Metalliegeplätzen und -strukturen sowie in der Nähe von Booten mit Metallrumpf zu lagern. Es sollte gänzlich von der Lagerung des Bootes auf dem Wasser ausgeschlossen werden, wenn Liegeplätze oder Boote mit defekter elektrischer Ausrüstung in der Nähe sind. Um den Bootsrumf vor galvanischer Korrosion zu schützen, muss der Benutzer Anoden verwenden. Der Hersteller haftet nicht für durch Korrosion verursachte Schäden am Bootsrumf und Lack. Das Auftreten jeglicher Art von Korrosion wird nicht durch die Garantie abgedeckt.

Während des Betriebs ist der Zustand des Rumpfes und der Ausrüstung des Motorboots sorgfältig zu überwachen, sowie aufgetretenen Schäden und Fehlfunktionen sind rechtzeitig zu beseitigen. Nach der Fahrt sollte man das Boot von Schmutz befreien, das Wasser aus dem Rumpf ablassen und gegebenenfalls mit Wasser waschen lassen. Nach der längeren Lagerung sollte man das Boot an Land ziehen Fehlfunktionen feststellen und sie dementsprechend beseitigen. Es ist empfehlenswert, das Boot mit dem Kiel nach unten in einem geschlossenen Raum oder unter einem Schutzdach zu lagern, um Niederschläge zu vermeiden. Die Lagerung auf einem offenen Platz ist zulässig, wenn das Boot vollständig unter einer Schutzplane versteckt ist.

Sollten Sie das Boot für eine längere Zeit lagern, schalten Sie das elektrische System des Bootes mit dem Massenschalter aus.

Beim Parken (Lagern) müssen alle elektrischen Geräte des Bootes mit dem Hauptschalter spannungsfrei geschaltet werden. Um Stromlecks, Kurzschlüsse und Brände zu vermeiden, lassen Sie das Boot nicht unbeaufsichtigt, wenn die elektrische Ausrüstung eingeschaltet ist. Wenn Sie das Boot am Ufer lagern, heben Sie es vom Boden ab, indem Sie Kielblöcke darunter legen.

10. UMWELTSCHUTZ

Während des Betriebs des Boots müssen alle Ölrückstände, Schmutzwasser, Abfälle (einschließlich Lebensmittelabfall) sowie Umweltschadstoffe an Bord aufbewahrt werden.

Man sollte die Anschlüsse des Kraftstoffsystems während des Motorbetriebs regelmäßig überprüfen:

um eine Umweltbelastung der Gewässer mit Erdölprodukten zu verhindern, und bei der Feststellung von Kraftstofflecks etwaige Beschädigungen unverzüglich beseitigen. Falls solche Beschädigung bei laufendem Motor nicht zu reparieren ist, stellen Sie gleich den Motor ab, lassen Sie die Fehlerursache identifizieren und ergreifen Sie erforderliche Maßnahmen, um zu verhindern, dass Kraftstoff ins Gewässer gelangt.

11. WARTUNG

Nach jedem Gebrauch sollte die Oberfläche des Motorboots visuell überprüft werden, um mögliche Schäden zu erkennen, alle Kraftstoffsystem- und Netzteile sollten überprüft werden, alle Fehlfunktionen bei Bedarf beseitigt ggf. repariert werden. Alle Reparatur-, Diagnose- und Wartungsarbeiten müssen in einem zertifizierten Service von qualifiziertem Fachpersonal durchgeführt werden.

12. ENTSORGUNG

Wenn das Boot außer Betrieb ist, muss es verschrottet werden. Der Besitzer des Motorboots ist für seine Entsorgung verantwortlich. Die Entsorgung des Boots muss an der geeigneten und speziell ausgestatteten Stelle erfolgen. Während der Entsorgung des Boots sollte man sich sowohl unter üblichen Bedingungen als auch im Notfall vorerst um die Sicherheit und Gesundheit der Personen kümmern.

13. GARANTIE DES HERSTELLERS

Der Garantiezeitraum für das Boot ist auf der letzten Seite dieser Bedienungsanleitung aufgeführt. Auf jegliche anderen Einzelteile wie auch die Lackbeschichtung gilt eine Garantiezeit von 24 Monate Garantie.

In der Garantiezeit verpflichtet sich Hersteller, das Boot kostenlos zu reparieren oder auszutauschen, sofern das Markierungsschild vorhanden ist, die Bedienungsanleitung vorgelegt wird und alle Betriebs-, Transport- und Lagerbedingungen eingehalten wurden.

WARNUNG!

Der Hersteller haftet nicht für Mängel, die vom Benutzer oder Händler verursacht wurden. Des Weiteren wird nicht bei fahrlässiger Beförderung, Lagerung, unsachgemäßer Inbetriebnahme sowie mechanischer Beschädigung des Boots durch Nichteinhaltung der Anforderungen, welche in der Bedienungsanleitung aufgeführt sind, vom Hersteller gehaftet.

Die Windschutzscheibe ist aus Polycarbonat (Acryl) hergestellt. Mit Rücksicht auf seine Eigenschaft ist die Berührung dieses Materials mit chemischen Lösungsmitteln (Aceton, Benzin, Verdünner und anderen aggressiven Chemikalien) untersagt. Die Garantie ist nicht mehr gültig, wenn das Produkt durch oben

erwähnte Berührungsart beschädigt wird. Dasselbe bezieht sich auf andere Innenelemente und Bootsbauteile, die aus Kunststoff oder Verbundwerkstoff produziert sind.

Der Hersteller haftet nicht für Konsequenzen, einschließlich Schäden an Dritten, die sich aus der Nichteinhaltung der Betriebs-, Transport- oder Lagerbedingungen des Boots ergeben, im Fall, wo die Verwendung des Bootes für andere Zwecke als seinen Hauptzweck dient, bei Änderungen im Bootsdesign ohne Genehmigung des Herstellers oder Störungen im Betrieb des Boots.

Änderungen in der Konstruktion oder Ausstattung des Boots sowie die Beseitigung von Schäden oder Störungen bedürfen schriftlicher Vereinbarung mit dem Hersteller. Andernfalls erlischt im Fall des Verbrauchers die Garantie für die Reparatur des Boots.

ÜBERGABE DES PRODUKTS

Vor der Übergabe des Produkts an den Käufer wird jedes Boot einer Abnahmeprüfung unterzogen, bei der folgendes kontrolliert wird: Aussehen, Qualität der Oberfläche, Schweißnähte sowie Montage.

BEI FRAGEN ÜBER DIE GARANTIE BEZÜGLICH DER BOOTSREPARATUR WENDEN SIE SICH BITTE AN:

5A Stradnieku skersīa,
Rezekne, LV-4604, Latvia
T: +371 294-197-09 | vizboat.com



By that we, "FISHBOAT RSEZ" LLC, 5A Stradnieku skersīa, Rezekne, LV-4604, Latvia confirm that CE Certification was performed in accordance with Directive 2013/53/EU.

VIZION 470S

MOTORLAIVA

LIETOŠANAS PAMĀCĪBA

SATURS

1. Vispārīgie norādījumi.....	24
2. Tehniskie dati.....	24
3. Piegādes komplekts.....	25
4. Korpusa konstrukcijas.....	25
4.1. Korpusa pamatparametri	26
5. Vadības un barošanas sistēma	26
6. Elektroaprikojums.....	27
7. Motora uzstādīšanas norādījumi.....	29
8. Drošības tehnikas prasības	29
9. Transportēšana un uzglabāšana	31
10. Apkārtējās vides aizsardzība	31
11. Tehniskā apkope	31
12. Utilizācija.....	31
13. Ražotāja garantijas	32

1. VISPĀRĪGIE NORĀDĪJUMI

Motorlaiva VIZION 470s (turpmāk – laiva) ir domāta ekspluatācijai saldūdenī un jūras ūdenī mērenā un aukstā klimata apgabalos, pie ūdens temperatūras no +5 līdz +30 grādiem pēc Celsija, piekrastes ūdeņos, līčos, ezeros un lielās upēs, kur vēja stiprums nepārsniedz 6 balles ($\leq 10,8$ m/s), savukārt viļņu augstums nesasniedz 2 metrus.

Laiva ir domāta tūrisma braucieniem, atpūtai uz ūdens, makšķerēšanai, medībām, saimniecības un sadzīves kravu pārvadāšanai. Dažādu inspekciju pārstāvji var izmantot laivu akvatoriju patrolēšanai, saimnieciskos mērķos, cilvēku pārvadāšanai un kā darba izbraukumu kuteri.

Laivas konstrukcija ir paredzēta piekaramā motora (tālāk tekstā PM) uzstādīšanai.

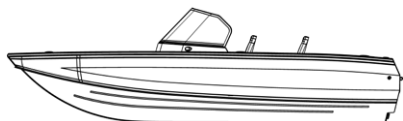
2. TEHNISKIE DATI

Kopējais garums, mm	4700
Kopējais platums, mm	1950
Borta augstums vidū, mm	850
Tranča augstums, mm	510
Kategorija	C
Korpusa materiāls	5083 H111
Dibena ķīļa leņķis pie tranča	14°
Maksimālā kravnesība (pasažieru un bagāžas masa), kg	450
Pasažierietilpība, cilvēki	4
PM maksimālā pieļaujamā jauda, z/s	70
Motora maksimālais pieļaujamais svars, kg	188.5
Korpusa masa ar aprīkojumu (bez PM), kg	470

3. PIEGĀDES KOMPLEKTS

Laivas piegādes komplektā ietilpst:

- laiva (bez piekaramā motora).
- lietošanas pamācība.



4. KORPUSA KONSTRUKCIJA

Laivas korpusam ir izteikti smaila priekšgala apakša, kas kopā ar gareniskajiem redāniem un šļakatu aizsargiem nodrošina augstus dinamiskos rādītājus.

Laivas korpus izgatavots no alumīnija-magnija sakausējuma 5083 H111 (vai tā analoga).

Korpasa konstrukciju savienošanas veids pārsvarā ir elektriskā loka metināšana inertās gāzes vidē.

Laivas izturību un drošumu garantē tās korpasa konstrukcija, ko pastiprina garenvirziena un šķērsvirzien stiprības ribas, kas iebūvētas laivas dibenā un sānu malās.

Brīvo telpu zem klāja aizpilda putupoliuretāns, kas nodrošina lielsku peldspēju un laivas drošību avārijas apstākļos saskaņā ar standartu EU ISO 12217-3:2017.

Laiva aprīkota ar gaitas ugunīm, ūdens izsūkņēšanas sistēmu (elektriskais sūknis 33 l/min.), pietauvošanās knehtiem, elektrosadales kastī ar drošinātājiem un masas slēdzi.

PM uzstāda uz stingra tranča, ko pastiprina augstas izturības ūdensdrošs saplāksnis.

Laivas korpus iedalāms trīs daļās: priekšgala klājs, vadītāja klājs un aizmugures klājs.

Modelis VIZION 470s ir aprīkots ar vadītāja un pasažiera konsolēm starp kurām ir uzstādītas atveramas durvis. Priekšgala klājā atrodas aerators, nodalījums spiningiem un akumulatoram, mantu nodalījumi. Vadītāja klāja priekšpusē zem konsolēm ir izvelkamas atvilktnes, sānos – nišas dažādiem sikumiem, grīdā iebūvēts nodalījums papildu akumulatoriem. Aizmugures klājā atrodas aerators, tehnoloģiskais nodalījums un vairāki nodalījumi mantām. Nodalījumu vāki ir izgatavoti no 12 mm ūdens izturīga laminēta saplākšņa ar neslidošu virsmu.

4.1. KORPUSA PAMATPARAMETRI

- laivas dibena apšuvums, francis: 3 mm
- bortu apšuvums: 2 mm
- garenvirziena un šķērsvirzien stiprības ribas: 2-3 mm
- gareniskie redāni: L veida profils 50x30x3
- garenvirziena stiprības ribas: U-profila sija 30x50x30x3

Starp tranci un aizmugures starpsienu atrodas pašnoteces nodalījums, kurā ir iebūvēts blīvslēgs, caur kuru ievada stūres iekārtas trosi un degvielas cauruli priekš PM. Stūres iekārtas trose neietilpst piegādes komplektā.

Tranča lejasdaļā iebūvēta ūdens noliešanas atvere ar kaprolona korķi. Tā paredzēta ūdens palieku noliešanai, izvelkot laivu krastā.

5. VADĪBAS UN BAROŠANAS SISTĒMA

Laiva ir paredzēta PM, kura jauda nedrīkst pārsniegt 70 z/s, uzstādīšanai (PM neietilpst piegādes komplektā). PM tālvadības sistēmas montāža tiek veikta labajā bortā pirms konsoles. Laivas vadīšana tiek veikta ar stūres iekārtas tālvadības sistēmas palīdzību, kuras aprīkojuma ietilpst:

- Mehāniskā stūres reduktors;
- Stūres kabelis;
- stūres rats.

Laivas centrālajā daļā atrodas stacionāra degvielas tvertne, kuras ietilpība ir 60 l. Tās uzpildes kakliņš atrodas laivas aizmugurē.



UZMANĪBU!

Ja uzpildes procesā vai neuzmanīgas rīcības dēļ degviela tiek izlieta zem grīdas, nekavējoties nomazgājiet to ar ūdeni un izsūknējiet to ar esošo sūkni. Atveriet lūku un izventilējiet laivu. Garantija neattiecas uz sūkni, kurš sabojājas ilglaicīgi atrodoties degvielā.

Nemot vērā degvielas un tās tvaiku augsto degtspēju, ievērojiet ugunsdrošības noteikumus, uzpildot degvielas tvertni.

6. ELEKTROAPRĪKOJUMS

Motora iedarbināšana, apgaismojuma, avārijas apgaismojuma un elektroiekārtu barošana tiek nodrošināta ar akumulatoru, kura spriegums ir 12V (neietilpst piegādes komplektā).

Elektroaprīkojumā ietilpst:

- slēdži;
- rozetes ārējo elektroierīču pieslēgšanai, spriegums 12V;
- elektriskais tilpnes sūkņis;
- elektriskais sūkņis aeratoram;
- gaitas ugunis;
- stāvgaisma;
- devējs un degvielas līmeņa indikators;
- masas slēdzis.

Katra laivas standarta aprīkojumā ietilpstošā elektroierīces barošanas sistēma ir aizsargāta ar 10A drošinātāju. Elektrosadales kaste ar drošinātājiem atrodas zem vadītāja konsoles.

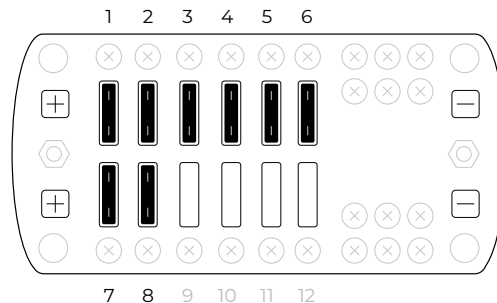
! Barošanas sprieguma «+» vienmēr pieslēgts masas slēdzim un caur to elektroaprīkojuma un PM barošanai.

Barošanas sprieguma «-» tiek pieslēgts no laivas korpusa izolētai klemmei-spailei un tālāk elektroaprīkojumam un PM.

! UZMANĪBU!

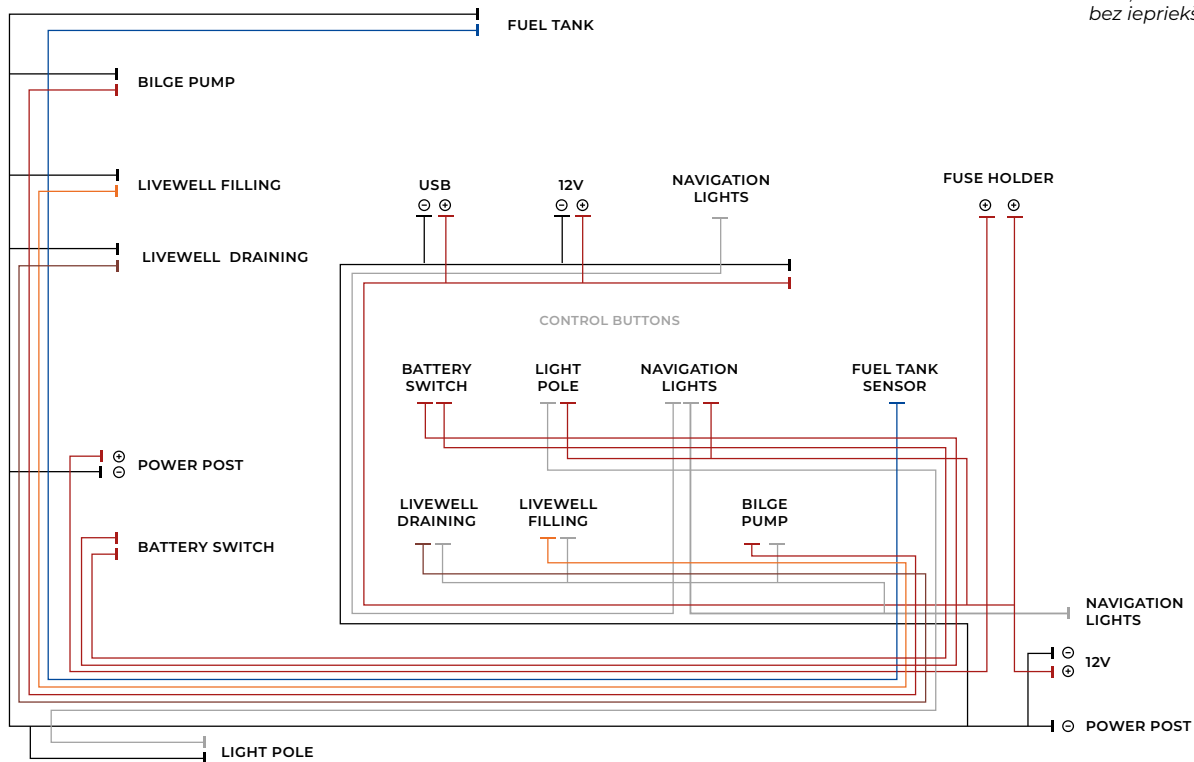
Uzstādot laivā papildus elektroiekārtas un elektroniku (akumulatorus, lādētājus, eholotes, elektromotorus u.c.), jāvēršas pie kvalificētiem speciālistiem. Ir pilnībā jāizslēdz elektriskā sprieguma nonākšanu saskarē ar laivas korpusa. Nepareizs savienojums var izraisīt korpusa elektrisko koroziju un krāsojuma bojājumus. Uz šādiem bojājumiem garantija neattiecas, un ražotājs par tiem nav atbildīgs.

Drošinātāju shēma



- | | |
|----------------------------|---|
| 1. Livewell, 10A | 5. Parking light and deck lighting, 10A |
| 2. Livewell 2 contour, 10A | 6. Spotlights, 10A |
| 3. Bilge pump, 10A | 7. Right Socket 12V, 10A |
| 4. Running lights, 10A | 8. Left Socket 12V and USB, 10A |

Elektroaprīkojuma pieslēgšanas shēma



! Ražotājs ir tiesīgs ieviest izmaiņas laivas elektroshēmā bez iepriekšēja paziņojuma.

7. MOTORA UZSTĀDĪŠANAS NORĀDĪJUMI

Lai nodrošinātu PM pareizu darbību, iesakām, lai motoru un ar to saistīto aprīkojumu uzstāda kvalificēts speciālists. Nepareiza PM uzstādīšana var izsaukt nepareizu motora darbību, samazinātu laivas vadāmības efektivitāti, kontroles zaudēšanu un ugunsdrošību situāciju.

Ja Jūs uzstādāt PM patstāvīgi, sekojiet norādījumiem, kas aprakstīti kopā ar to piegādātajā instrukcijā „Piekaramā motora uzstādīšanas instrukcija”.

8. DROŠĪBAS TEHNIKAS PRASĪBAS

Laivas konstrukcija atbilst drošības prasībām, kas aprakstītas Direktīvā 2013/53/EU un nodrošina drošu ekspluatāciju, ja tiek ievēroti šādi noteikumi:

- piekaramā motora jauda nedrīkst pārsniegt 70 z/s;
- laivas ekspluatācija nav pieļaujama, ja viļņa augstums ūdenstilpnē pārsniedz 2 m;
- laivas ekspluatācija nav pieļaujama, ja tiek pārsniegta norādītā pasažierietilpība (4 cilvēki);
- nedrīkst pārsniegt norādīto maksimālo krāvniesību, ņemot vērā pasažieru un bagāžas masu (ne vairāk par 450 kg);
- uzpildot piekaramo laivas motoru vai degvielas tvertni ar degvielu un eļļu, jāievēro ugunsdrošības un ekoloģiskās drošības noteikumi;
- braukšanas laikā nestaigāt pa laivu, necelties no sēdvietām;
- laivas ekspluatācija nav pieļaujama bez individuāliem glābšanas līdzekļiem, kuru skaits atbilst laivā esošo cilvēku skaitam;
- kustības laikā (vairāk par 5 km/h) kategoriski aizliegts atrasties uz priekšgala klāja;
- kategoriski aizliegts uzticēt motorlaivas vadību personām, kurām nav vadītāja apliecības, kā arī alkohola reibumā esošām personām;
- tuvojoties citiem ūdens transportlīdzekļiem un peldētājiem, jāsamazina ātrums.

! BRĪDINĀJUMS!

Necentieties manevrēt lielā ātrumā, kamēr neizzināsiet visas motorlaivas iespējas.

Kontrolējiet vadību, nekad nepalaidiet vaļā stūri. Vienmēr brīdiniet laivā esošos cilvēkus, pirms veicat jebkādus manevrus ātrumā. Normālos laikapstākļos varat veikt vieglu S-veida pagriezienu, nesamazinot ātrumu. Sarežģītāki manevri tiek veikti, regulējot motora jaudu. Samaziniet jaudu, nezaudējot glīsi, veiciet pagriezienu. Palieliniet jaudu un pabeidziet pagriezienu, lai sasniegtu līdzšinējo ātrumu.

8. DROŠĪBAS TEHNIKAS PRASĪBAS

Lai braukšana būtu droša, laivas īpašniekam noteikti jānokomplektē laiva ar:

- glābšanas vestēm (atbilstoši laivā esošam cilvēku skaitam).

Papildu drošībai braukšanai pa jūru nepieciešams nokomplektēt laivu ar:

- ūdensdrošiem sakaru līdzekļiem (radioaparātūru), kas pārraidīs un uztvers informāciju par drošību jūrā, tostarp arī laika ziņas;
- magnētisko kompasu;
- 2 glābšanas riņķiem ar meklēšanas ugunīm, kā arī peldošu enkuru un vismaz 20 m garu līni;
- 3 sarkanām izpletņa signālraketēm;
- 4 baltām signālraketēm;
- 4 sarkanām signālraketēm;
- siltumaizsardzības līdzekļiem (atbilstoši laivā esošam cilvēku skaitam).

Pirms dodaties braucienā, pārliedzinieties par to, ka:

- motorlaiva, dzinējs, akumulatori ir labā stāvoklī;
- navigācijas ugunis un tilpnes sūknis normāli funkcionē;
- degvielas tvertnē ir pietiekami daudz degvielas;
- glābšanas vestes un citi glābšanas līdzekļi ir laivā;
- laivas korpusa noteiku korķi un ūdensnecaurlaidīgo nodalījumu vāki ir cieši aizdarīti;
- enkurs, mantas, inventārs un pietauvošanās troses ir labi nostiprinātas;



BRĪDINĀJUMS!

Pirms dodaties braucienā, pārliedzinieties, ka visi cilvēki uz klāja ir iepazīstināti ar uzvedības noteikumiem uz maza izmēra peldlīdzekļiem, kā arī vai viņi ir uzģērbusi glābšanas vestes un ērti izvietojusies laivas sēdvietās. Noteikti pārbaudiet, vai avārijas-glābšanas un ugunsdrošības aprīkojums ir laivā.

Aizliegts ekspluatēt motorlaivu, kurai ir sekojoši bojājumi:

- caurumi korpusā un apšuvumā (neatkarīgi no to vietas);
- stūres ratu nevar pagriezt pietiekamā leņķī (35 grādi katra borta virzienā);
- stūres plāksne vai vadības mehānisma detaļas ir bojātas;
- notikusi degvielas noplūde no tvertnēm, degvielas padeves šļūtenēm;
- vērojama dzinēja, piekaramā motora vibrācija, kas pārsniedz ekspluatācijas dokumentācijā noteiktos rādītājus;
- bojāta motora tālvadības sistēma.

9. TRANSPORTĒŠANA UN UZGLABĀŠANA

Laivu drīkst transportēt ar jebkuru transportlīdzekli, ievērojot kravu transportēšanas noteikumus attiecīgajam transportam.

Visos gadījumos ir jāparedz droša laivas nostiprināšana uz transportlīdzekļa, lai izvairītos no tās bojājumiem.

! UZMANĪBU!

Aizliegts izmantot piekabes, kas nav paredzētas laivu transportēšanai. Laivas apakšējās daļas bojājumi, kas radušies šādas transportēšanas gadījumā, nav attiecināmi uz laivas garantiju.

Nav atļauts glabāt laivu uz ūdens augstsprieguma līniju tuvumā, pie metāla piestātnēm un konstrukcijām, kā arī pie laivām ar metāla korpusu. Ja tuvumā atrodas piestātnes vai laivas ar bojātu elektroiekārtu, to vajadzētu pilnībā izslēgt no laivas uzglabāšanas uz ūdens. Lai aizsargātu laivas korpusu no galvaniskās korozijas, lietotājam jāizmanto anodi. Ražotājs nav atbildīgs par korozijas izraisītiem laivas korpusa un krāsojuma bojājumiem. Garantija nesedz jebkāda veida koroziju.

Ekspluatācijas laikā uzmanīgi jāseko līdzi laivas korpusa un aprikojumam stāvoklim, savlaicīgi novēršot bojājumus. Pēc brauciena laiva jāattīra no netīrumiem, nepieciešamības gadījumā jānomazgā ar ūdeni, jāizlej ūdens no korpusa. Pirms ilgākas uzglabāšanas laiva jāizvelk no ūdens, jāveic tās defektācija un jānovērš bojājumi. Laivu ieteicams uzglabāt ar ķīli uz leju slēgtā telpā vai zem nojumes, kas pasargā no nokrišņiem. Pieļaujama uzglabāšana atklātā vidē, ja laiva ir pilnībā noslēgta ar aizsargtenti.

Atstājot laivu stāvvietā, atslēdziet strāvu laivas elektrosistēmai, izmantojot masas slēdzi.

Novietojot stāvvietu (noliktavu), visas laivas elektriskās iekārtas ir jāatvieno, izmantojot galveno slēdzi. Lai novērstu elektrības noplūdi, īssavienojumu un ugunsgrēku, neatstājiet laivu bez uzraudzības ar ieslēgtu elektrisko aprikojumu. Uzglabājot laivu krastā, paceliet to no zemes, novietojot zem tās ķīla blokus.

10. VIDES AIZSARDZĪBA

Ekspluatācijas procesā laivā jāzaglabā visi naftas produktu pārpalikumi, netīrais ūdens, atkritumi (tostarp ēdiena paliekas), kā arī vidi piesārņojošas vielas.

Lai novērstu ūdenstilpņu piesārņojumu ar naftas produktiem, dzinēja ekspluatācijas laikā nepieciešams:

periodiski jāapskata degvielas sistēmas savienojumu stāvoklis un, konstatējot degvielas noplūdi, nekavējoties jānovērš bojājumi. Ja, dzinējam darbojoties, bojājumi degvielas sistēmā nav novēršami, jāaptur dzinējs, jānoskaidro bojājuma iemesls un jārikojas tā, lai nepieļautu degvielas nokļūšanu ūdenstilpnē.

11. TEHNISKĀ APKOPE

Pēc katras laivas izmantošanas reizes jāveic tās virsmas vizuāla apskate, lai atklātu iespējamus bojājumus, jāpārbauda visi degvielas un elektrosistēmas pamatmezgli, nepieciešamības gadījumā jāveic remontdarbi un jānovērš visi bojājumi. Visi remonta, diagnostikas un apkopes darbi jāveic sertificētā servisā pie kvalificētiem speciālistiem.

12. UTILIZĀCIJA

Laiva, kas nav derīga tālāka ekspluatācijai, jāutilizē. Par laivas utilizāciju atbild tās īpašnieks. Laivas utilizācija jāveic tam paredzētās un speciāli aprīkotās vietās. Gan parastos, gan avārijas apstākļos, utilizējot laivu, jānodrošina cilvēku drošība un veselība.

13. RAŽOTĀJA GARANTĪJA

Laivas garantijas periods ir norādīts šīs lietotāja rokasgrāmatas pēdējā lapā. Garantijas termiņa laikā ražotājs veic laivas bezmaksas remontu vai nomaina laivu, ja uz tās ir marķējuma plāksne, kā arī ja tiek uzrādīta laivas lietošanas pamācība un ievēroti visi ekspluatācijas, pārvadāšanas un uzglabāšanas noteikumi.

! BRĪDINĀJUMS!

Ražotājs nekompensē un neatbild par defektiem, kas rodas lietotāja vai tirgotāja vainas dēļ, nevižīgas transportēšanas, nepareizas uzglabāšanas un ekspluatācijas rezultātā, laivas mehānisko bojājumu, kā arī šīs lietošanas pamācības prasību neievērošanas dēļ.

Vējstikls izgatavots no polikarbonāta (akrila), šī materiāla īpatnības nepieļauj jebkāda veida kontaktu ar ķīmiskiem šķīdinātājiem (acetonu, benzīnu, atšķaidītājiem un citām agresīvām ķīmiskām vielām). Garantijas gadījums neiestājas, ja izstrādājums tiek bojāts šāda kontakta rezultātā. Tāpat nav pieļaujams citu no plastmasas vai kompozītmateriāliem izgatavotu interjera un laivas konstrukcijas elementu kontakts ar šķīdinātājiem.

Ražotājs neatbild par jebkādām sekām, tostarp par kaitējumu, kas nodarīts trešajām personām, ja šīs sekas iestājušās laivas ekspluatācijas, transportēšanas vai uzglabāšanas noteikumu neievērošanas rezultātā, laivu izmantojot citiem mērķiem, izņemot pamatmērķi, kā arī ieviešot jebkādas izmaiņas laivas konstrukcijā vai iejaucoties tās iekārtu darbībā bez saskaņošanas ar ražotāju.

Visas izmaiņas laivas konstrukcijā vai aprīkojumā, kā arī jebkuru radušos bojājumu vai traucējumu novēršana rakstiski jāsaņem ar ražotāju. Ja minētā saskaņošana netiek veikta, patērētājs zaudē tiesības uz garantijas remontu.

GATAVĀS PRODUKCIJAS PIEŅEMŠANA

Katrai motorlaivai, pirms to nodod pircējam, tiek veikta pieņemšanas kontrole, kurā tiek pārbaudīts: ārējais izskats, ārējo virsmu kvalitāte, metināšanas šuvju kvalitāte, kā arī komplektācija.

GARANTIJAS REMONTA NEPIECIEŠAMĪBAS GADĪJUMĀ VĒRSIETIES:

5A Stradnieku skersiela,
Rezekne, LV-4604, Latvia
T: +371 294-197-09 | vizboat.com



By that we, "FISHBOAT RSEZ" LLC, 5A Stradnieku skersiela, Rezekne, LV-4604, Latvia confirm that CE Certification was performed in accordance with Directive 2013/53/EU.

VISION 470S

МОТОРНАЯ ЛОДКА

РУКОВОДСТВО ПО ЭКСПЛУАТАЦИИ

СОДЕРЖАНИЕ

1. Общие указания.....	34
2. Технические данные.....	34
3. Комплект поставки.....	35
4. Конструкция корпуса.....	35
4.1. Основные параметры корпуса.....	36
5. Система управления и питания.....	36
6. Электрооборудование.....	37
7. Рекомендации по установке мотора.....	39
8. Требования по техники безопасности.....	39
9. Транспортирование и хранение.....	41
10. Защита окружающей среды.....	41
11. Техническое обслуживание.....	41
12. Утилизация.....	41
13. Гарантии Производителя.....	42

1. ОБЩИЕ УКАЗАНИЯ

Моторная лодка VIZION 470s (далее лодка) предназначена для эксплуатации в пресной и морской воде в районах с умеренным и холодным климатом при температуре воды от +5 до +30 градусов по Цельсию, в прибрежных водах, заливах, водохранилищах, озерах и больших реках, где сила ветра не превысит 6 баллов ($\leq 10,8$ м/с), а высота волн не достигнет 2 метров.

Лодка предназначена для туристических путешествий и прогулок, отдыха на воде, рыбалки, охоты, перевозки грузов хозяйственно-бытового назначения. Лодка может использоваться для патрулирования водных акваторий представителями различных инспекций, в хозяйственных целях, для доставки людей, в качестве рабочего, развездного катера.

Конструкция лодки предусматривает установку подвесного мотора (далее ПМ).

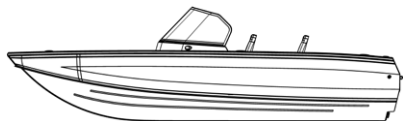
2. ТЕХНИЧЕСКИЕ ДАННЫЕ

Длина габаритная, мм	4700
Ширина габаритная, мм	1950
Высота борта на миделе, мм	850
Высота транца, мм	510
Категория	C
Материал корпуса	5083 H111
Килеватость днища на транце	14°
Максимальная грузоподъемность (масса пассажиров и багажа), кг	450
Пассажиروместимость, чел.	4
Максимально допустимая мощность ПМ, лс.	70
Максимально допустимый вес мотора, кг	188.5
Масса оборудованного корпуса (без ПМ), кг	470

3. КОМПЛЕКТ ПОСТАВКИ

В комплект поставки лодки входит:

- лодка в сборе (без подвесного мотора).
- руководство по эксплуатации.



4. КОНСТРУКЦИЯ КОРПУСА

Корпус лодки имеет остроскуловые обводы, продольные реданы и скуловые брызготбойники, обеспечивающие высокие динамические характеристики.

Корпус лодки изготовлен из алюминиевого-магниевого сплава 5083 H111 (или его аналога).

Основной способ соединения корпусных конструкций – электродуговая сварка в среде инертных газов.

Прочность и надежность корпуса лодки обеспечивается конструкцией корпуса, усиленной продольным и поперечным набором в районе днища, палубы и бортов.

Свободное трюмное пространство заполнено пенополиуретаном, обеспечивающее положительную плавучесть, непотопляемость и аварийную остойчивость лодки в соответствии EU ISO 12217-3:2017.

Лодка оборудована ходовыми огнями, системой удаления трюмных вод (помпа электрическая 33л/мин), утками для швартовки, блоком предохранителей и выключателем массы.

ПМ устанавливается на жесткий транец, усиленный высокопрочной водостойкой фанерой.

Корпус лодки разбит на три части: носовая палуба, кокпит и кормовая палуба.

Модель VIZION 470s оборудована водительской и пассажирской консолью с откидной дверью между ними. В носовом кокпите находятся аэраторный садок, отсек спиннингов и АКБ, отсеки для вещей. В передней части кокпита, под консолями расположены выдвижные ящики, по бокам ниши для мелочей, в полу отсек для дополнительных АКБ. На кормовой палубе находится технологический отсек, несколько отсеков для вещей, аэраторный садок. Крышки рундуков и пайолы выполнены из водостойкой ламинированной фанеры с нескользящей поверхностью толщиной 12 мм.

4.1. ОСНОВНЫЕ ПАРАМЕТРЫ КОРПУСА

- обшивка днища, транец: 3 мм
- обшивка борта: 2 мм
- поперечный и продольный силовой набор: 2-3 мм
- продольные реданы: L-профиль 50*30*3
- стрингеры: U-профиль 30x50x30x3

За кормовой переборкой расположен само отливной подмоторный рецесс, в который выведены через сальники трос рулевого устройства и топливный шланг для подключения к ПМ. Троса управления ПМ в комплект поставки не входят.

На корме лодки в нижней части транца установлен сливной шпигат со сливной пробкой из капролона. Шпигат предназначен для слива остатков воды при подъеме лодки на берег.

5. СИСТЕМА УПРАВЛЕНИЯ И ПИТАНИЯ

На лодке устанавливается подвесной мотор мощностью не более 70 ЛС. (в комплект поставки не входит). Монтаж дистанционного управления ПМ производится на правом борту перед консолью. Управление лодкой осуществляется с помощью дистанционного рулевого устройства, в состав которого входит:

- Механический рулевой редуктор;
- Рулевой трос;
- Рулевое колесо

В центральной части лодки находится стационарный топливный бак объемом 60л. Заливная горловина располагается в кормовой части.



ВНИМАНИЕ!

В случае пролива топлива под пайолы или рундуки при заправке или неосторожном обращении с топливными емкостями немедленно смойте бензин водой и сразу откачайте ее штатной трюмной помпой. Откройте лючок в рецессе и провентилируйте лодку. Расплавление корпуса трюмной помпы из-за длительного нахождения ее в бензине не является гарантийным случаем.

В связи с высокой горючестью топлива и его паров соблюдайте правила пожарной безопасности при заправке бака топливом.

6. ЭЛЕКТРООБОРУДОВАНИЕ

Пуск мотора, освещение, аварийное освещение, питание электропотребителей осуществляется от аккумуляторной батареи (в комплект поставки не входит) напряжением 12В.

В состав электрооборудования входит:

- выключатели;
- розетки для подключения внешних электроприборов 12В;
- электрическая помпа;
- электрическая помпа для аэрационного садка;
- ходовые огни;
- стояночный огонь;
- датчик и индикатор уровня топлива;
- выключатель массы.

Электропитание стандартных устройств лодки защищено предохранителями 10А для каждого потребителя. Блок предохранителей установлен под водительской консолью.

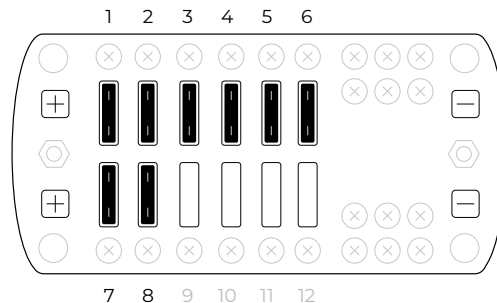
! «+» напряжения питания всегда подключен к выключателю массы и через него на питание электрооборудования и ПМ.

«-» подключается к изолированной от корпуса лодки клемме-штифту и далее к электрооборудованию и ПМ.

! ВНИМАНИЕ!

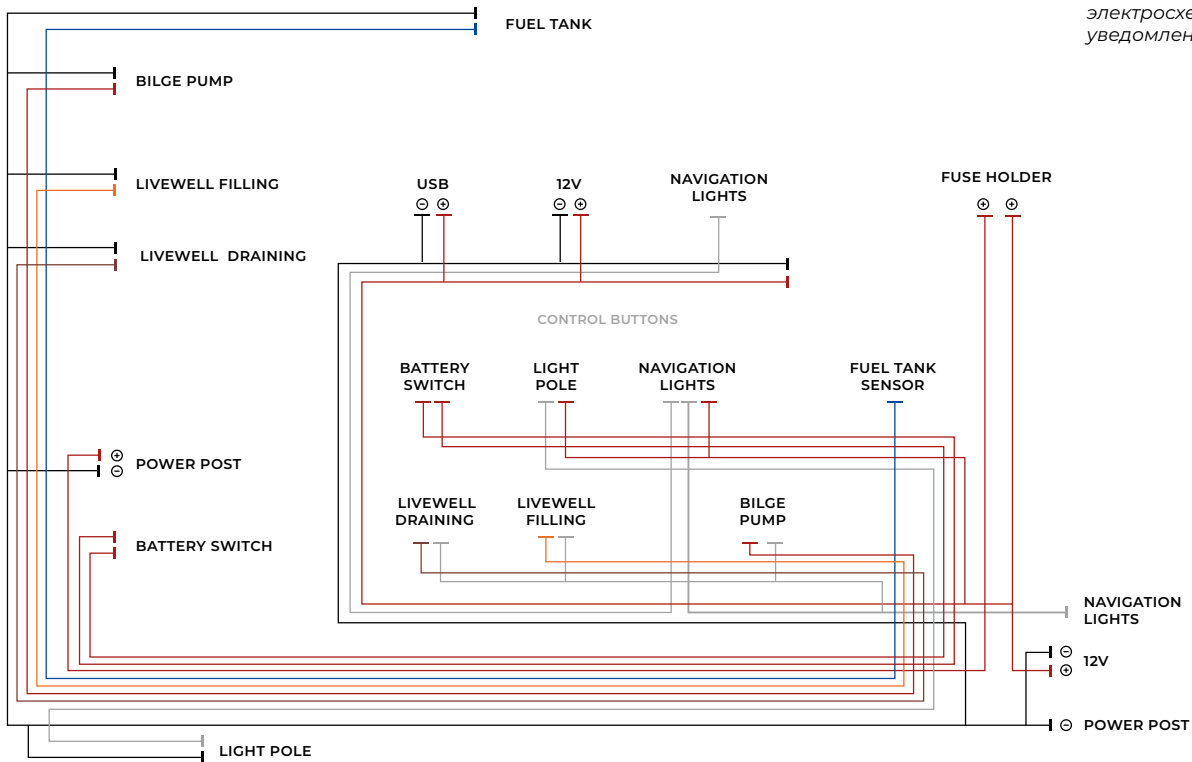
При установке на лодку дополнительного электрооборудования и электроники (аккумуляторов, зарядных устройств, эхолотов, электромоторов и т.д.) следует обратиться к квалифицированным специалистам. Необходимо полностью исключить возможность попадания электрического напряжения на корпус лодки. Неправильное подключение может привести к электротехнической коррозии корпуса и повреждению лакокрасочного покрытия. Такое повреждение не является гарантийным случаем и производитель не несёт за него ответственность.

Схема предохранителей



- | | |
|----------------------------|---|
| 1. Livewell, 10A | 5. Parking light and deck lighting, 10A |
| 2. Livewell 2 contour, 10A | 6. Spotlights, 10A |
| 3. Bilge pump, 10A | 7. Right Socket 12V, 10A |
| 4. Running lights, 10A | 8. Left Socket 12V and USB, 10A |

Схема подключения электрооборудования



⚠ Производителю вправе вносить изменения в электросхему лодки без уведомления.

7. РЕКОМЕНДАЦИИ ПО УСТАНОВКЕ МОТОРА

Для обеспечения правильной работы подвесного двигателя настоятельно рекомендуем, чтобы двигатель и связанные с ним принадлежности были установлены квалифицированным специалистом. Неправильная установка двигателя может привести к неправильной работе двигателя, снижению эффективности управления, потере контроля и к опасности возгорания.

Если Вы будете сами устанавливать подвесной двигатель, выполняйте указания, содержащиеся в поставляемой с ним «Инструкции по установке подвесного двигателя».

8. ТРЕБОВАНИЯ ПО ТЕХНИКЕ БЕЗОПАСНОСТИ

Конструкция лодки соответствует требованиям безопасности, изложенным в Директиве 2013/53/EU и обеспечивает безопасную эксплуатацию при соблюдении следующих правил:

- мощность подвесного мотора не должна превышать 70 Л.С.;
- не допускается эксплуатировать лодку на водоемах при высоте волны более 2 м;
- не допускается эксплуатировать лодку при превышении нормативной пассажироместимости (4 чел.);
- не допускается превышение установленной грузоподъемности с учетом массы пассажиров и багажа (более 450 кг);
- при заправке подвесного лодочного мотора или топливного бака топливом и маслом соблюдать правила пожарной и экологической безопасности;
- во время плавания не ходить по лодке, не вставать с сидений;
- не допускается эксплуатация лодки без индивидуальных спасательных средств, соответствующих количеству человек на борту;
- категорически запрещается во время движения (более 5км/ч) находиться в носовом кокпите;
- категорически запрещается допуск к управлению моторолдкой лиц, не имеющих удостоверений, а также лиц в нетрезвом состоянии;
- при приближении к судам и купающимся сбавьте скорость.



ПРЕДУПРЕЖДЕНИЕ!

Не пытайтесь маневрировать на большой скорости, пока не изучите всех возможностей моторной лодки.

Контролируйте управление, никогда не отпускайте рулевое колесо. Всегда предупреждайте людей на борту перед скоростными манёврами. В нормальных погодных условиях вы можете выполнить мягкий «S» образный поворот не сбрасывая скорости, с которого Вы идёте по прямой. Более резкие циркуляции выполняются при помощи регулирования мощности мотора. Уменьшите мощность без потери глиссирования, войдите в поворот. Увеличьте мощность, выходя из поворота, чтобы достичь прежней скорости.

8. ТРЕБОВАНИЯ ПО ТЕХНИКЕ БЕЗОПАСНОСТИ

Для обеспечения безопасности плавания силами судовладельца необходимо обязательно укомплектовать лодку:

- спасательными жилетами (по числу людей, находящихся на борту).

Дополнительно для обеспечения безопасности плавания в морских районах НЕОБХОДИМО укомплектовать лодку:

- средствами связи (радиоаппаратурой) в водозащищённом исполнении, обеспечивающими передачу и приём информации по безопасности на море, включая прогноз погоды;
- магнитным компасом;
- 2 спасательными кругами, оборудованными огнем поиска, плавучим якорем и линем длиной не менее 20 метров;
- 3 красными парашютными ракетами;
- 4 белыми фальшфейерами;
- 4 красными фальшфейерами;
- теплозащитными средствами (по числу людей, находящихся на борту).

Перед началом движения убедитесь в том, что:

- моторная лодка, двигатель, аккумуляторы находятся в отличном состоянии;
- навигационные огни и трюмная помпа функционируют нормально;
- в топливном баке достаточно топлива;
- спасательные жилеты и другое спасательное оборудование размещены на борту;
- заглушки (сливные пробки) корпуса и водонепроницаемых отсеков надежно закрыты;
- якорь, вещи, инвентарь и швартовные тросы закреплены на борту.

ПРЕДУПРЕЖДЕНИЕ!

Перед началом путешествия убедитесь, что все люди на борту ознакомлены с правилами поведения на маломерном судне и разместились на борту удобно и на штатных местах, одеты в спасательные жилеты. Обязательно проверить нахождение на борту аварийно-спасательного и противопожарного оборудования.

Запрещается эксплуатация моторной лодки, имеющей следующие неисправности:

- наличие свищей, пробойн набора и обшивки корпуса (независимо от местонахождения);
- не обеспечен полный угол перекладки руля (35 градусов на каждый борт)
- повреждение пера руля или деталей рулевого привода;
- утечка топлива из баков, шлангов системы питания;
- наличие вибрации двигателя, подвешенного мотора, превышающей допустимые эксплуатационной документацией значения;
- повреждение системы дистанционного управления двигателем.

9. ТРАНСПОСТИРОВАНИЕ И ХРАНЕНИЕ

Транспортирование лодок может производиться любым видом транспорта с соблюдением правил перевозки грузов, действующих на соответствующем виде транспорта.

Во всех случаях должно быть предусмотрено надежное крепление лодки к транспортному средству, обеспечивающее ее сохранность.

⚠ ВНИМАНИЕ!

Запрещается использовать прицепы не предназначенные для транспортировки лодок. Повреждения нижней части корпуса при такой транспортировке не являются гарантийным случаем.

Не допускается хранение лодки на воде вблизи высоковольтных линий, рядом с металлическими причалами и конструкциями, а также вблизи лодок с металлическим корпусом. Следует полностью исключить хранение лодки на воде если рядом находятся причалы или лодки с неисправным электрооборудованием. Для защиты корпуса лодки от гальванической коррозии пользователь должен использовать аноды. Производитель не несёт ответственности за повреждение

корпуса лодки и лакокрашеного покрытия вызванные коррозией. Возникновение любого вида коррозии не является гарантийным случаем.

В процессе эксплуатации необходимо внимательно следить за состоянием корпуса и оборудованием лодки, своевременно устранять повреждения и неисправности. После плавания лодку очистить от грязи, удалить воду из корпуса, при необходимости промыть водой. При постановке на длительное хранение, лодку вытащить из воды, провести дефектацию неисправностей и устранить их. Хранить лодку рекомендуется в закрытом помещении или под навесом, защищающих от атмосферных осадков, в положении «вниз килем». Допускается хранение на открытых площадках, если лодка полностью закрыта транспортировочным тентом.

При стоянке (хранении) всё электрооборудование лодки должно быть обесточено при помощи главного выключателя. Во избежание утечек тока, короткого замыкания и пожара запрещается оставлять лодку без присмотра со включенным электрооборудованием. При хранении лодки на берегу приподнимите ее над грунтом, подставив под нее киль-блоки.

10. ЗАЩИТА ОКРУЖАЮЩЕЙ СРЕДЫ

На моторной лодке в процессе эксплуатации должны сохраняться на борту все нефтяные остатки, грязная вода, мусор, пищевые отходы, а также загрязняющие окружающую среду вещества.

Для предотвращения загрязнения водных объектов нефтепродуктами при эксплуатации двигателя необходимо:

При работе двигателя периодически осматривать состояние соединений его топливной системы и при обнаружении подтёков топлива принимать меры для немедленного устранения неисправности. Если неисправность топливной системы при работе двигателя устранить невозможно, следует остановить двигатель, выяснить причины и принять меры для предотвращения проникновения топлива за борт.

11. ТЕХНИЧЕСКОЕ ОБСЛУЖИВАНИЕ

После каждого использования моторной лодки, вы должны провести визуальный осмотр поверхности лодки на наличие повреждений, проверить все основные узлы топливной системы, электропитания, при необходимости устранить все неполадки и провести ремонтные работы. Проводить в авторизованных технических центрах техобслуживание моторной лодки, а именно диагностику и ТО, также ремонтные работы в случае обнаружения повреждений.

12. УТИЛИЗАЦИЯ

Выведенная из эксплуатации моторная лодка должна быть утилизирована. Ответственность за утилизацию маломерного судна возлагается на собственника. Утилизация маломерных судов должна проводиться в специально отведенных и оборудованных для этих целей местах. Процесс утилизации маломерного судна, как в обычных условиях, так и в аварийных должен обеспечивать безопасность жизни и здоровью людей.

13. ГАРАНТИИ ПРОИЗВОДИТЕЛЯ

Гарантийный срок эксплуатации лодки указан на последней странице данного руководства пользователя. Производитель в течение гарантийного срока эксплуатации производит безвозмездный ремонт или замену лодки при наличии маркировочной таблички на лодке, руководства по эксплуатации и соблюдения условий эксплуатации, транспортировки и хранения.

! ВНИМАНИЕ!

Производитель не несет ответственности и не возмещает ущерб за дефекты, возникшие по вине потребителя или торгующей организации при небрежной транспортировке, неправильном хранении и эксплуатации, при механических повреждениях лодки, несоблюдении требований настоящего руководства.

Ветровое стекло изготовлено из поликарбоната (акрила) и в связи с его особенностями не допускается какой-либо контакт с химическими растворителями (ацетон, бензин, разбавители и другие агрессивные химические вещества). Повреждение изделия вследствие такого контакта не является гарантийным случаем. Также не допускается контакт с растворителями других элементов интерьера и конструкции лодки, выполненных из пластмассовых или композитных материалов.

Производитель не несет ответственности за любые последствия, в том числе за вред, причиненный третьим лицам, если эти последствия наступили в результате нарушения правил эксплуатации, транспортировки или хранения лодки, использования лодки не по назначению, а также в результате любого несогласованного с изготовителем внесения изменений в конструкцию лодки или вмешательства в работу ее оборудования.

Все изменения конструкции, оборудования или оснащения лодки, а также устранение любых возникших повреждений или неисправностей должны быть в письменной форме согласованы с Производителем. Отсутствие такого согласования лишает потребителя права на гарантийный ремонт.

ПРИЕМКА ГОТОВОЙ ПРОДУКЦИИ

Каждая моторная лодка перед передачей покупателю, проходит приемочный контроль, включающий в себя: контроль внешнего вида, качество наружной поверхности, качество сварочных швов, проверку комплектации.

ДЛЯ ГАРАНТИЙНОГО РЕМОНТА ОБРАЩАТЬСЯ ПО АДРЕСУ:

5A Stradnieku skersielā,
Rezekne, LV-4604, Latvia
T: +371 294-197-09 | vizboat.com



By that we, "FISHBOAT RSEZ" LLC, 5A Stradnieku skersielā, Rezekne, LV-4604, Latvia confirm that CE Certification was performed in accordance with Directive 2013/53/EU.



HIN: LV-VZN
(Boat ID number)

Date of purchase
(Warranty Start Date):

Seller

WARRANTY

Under all conditions of this user manual the warranty period:

- For the aluminum boat hull, power structures and welding joints – 10 years.
- For paint, accessories and components – 2 years.

GARANTIE

Vorbehaltlich aller Bedingungen dieser Bedienungsanleitung beträgt die Gewährleistungsfrist:

- Für den Aluminiumrumpf des Bootes, Kraftstrukturen und Schweißnähte – zehn Jahre.
- Für Lackierung, Zubehör und Komponenten – zwei Jahre.

GARANTIJA

Saskaņā ar visiem šīs lietotāja rokasgrāmatas nosacījumiem garantijas periods ir:

- Laivas alumīnija korpusam, spēka konstrukcijām un šuvēm – 10 gadi.
- Krāsošanai, aksesuāriem un komponentiem – 2 gadi.

ГАРАНТИЯ

При соблюдении всех условий данного руководства пользователя гарантийный срок:

- На алюминиевый корпус лодки, силовые конструкции и сварные швы – 10 лет.
- На покраску, аксессуары и комплектующие – 2 года.

VIZION 470S ALUMINUM MOTORBOAT

